

### LB-75-15-C-NFSPO Standard Gain Horn Antenna 10-15GHz 15dB Gain N Type Female

Standard Gain Horn Antenna Operating From 10GHz to 15GHz With a Nominal 15dB Gain With N Type Female Connector

## Product Information

SKU	LB-75-15-C-NFSPO
-----	------------------

## Description

Standard Gain Horn Antenna LB-75-15-C-NFSPO, operating from 10 to 15GHz with a nominal 15dB gain and low VSWR 1.25:1 with N Type Female connector output. The model LB-75-15-C-NFSPO has uniform gain through its frequency span, providing efficient performance characteristics and directionality. It can handle 150W continuously and 3000W peak power. Constructed of lightweight corrosion-resistant aluminum, the horn comes with a specially designed weatherproof radome which provides excellent protection against the rain and dust but has very little loss across the full operating frequency band. This standard gain horn antenna is linearly polarized and ideally suited for EMI testing, direction finding, surveillance, antenna gain and pattern measurements and other applications.

## Technical Specification

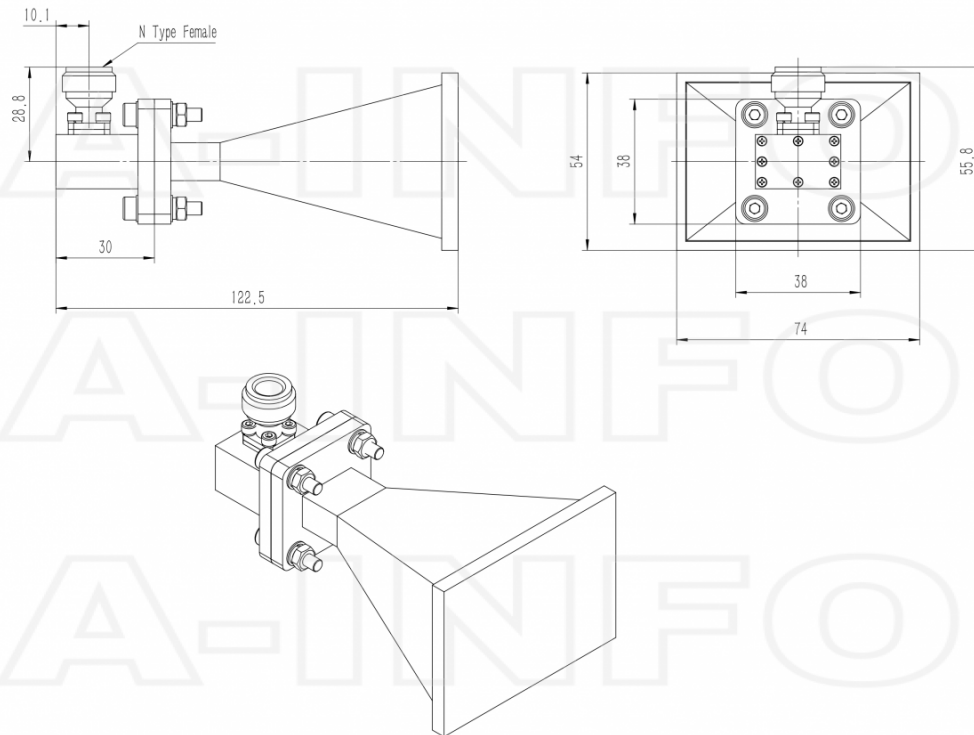
Electrical Specification		Interface	
Frequency, Min (GHz)	10	Output Type	Coaxial
Frequency, Max (GHz)	15	Connector	N Type
Waveguide Type	Rectangular	Connector Gender	Female
Waveguide Size EIA WR	WR75	Mechanical Specification	
Gain, Typ (dBi)	15	Figure	C Type
Polarization	Linear	Body Material	Al
3dB Beamwidth, E-Plane, Typ (Deg.)	27	Finish	Chemical Conversion Coating, Gray Paint
3dB Beamwidth, H-Plane, Typ (Deg.)	26	Size, W (mm)	74
Cross Pol. Isolation, Typ (dB)	45	Size, H (mm)	55.8
VSWR, Typ	1.25:1	Size, L (mm)	122.5
Impedance, (Ohm)	50	Weight, (kg)	0.12
Power Handling, CW, (W)	150		
Power Handling, Peak, (W)	3000		

## Additional Information

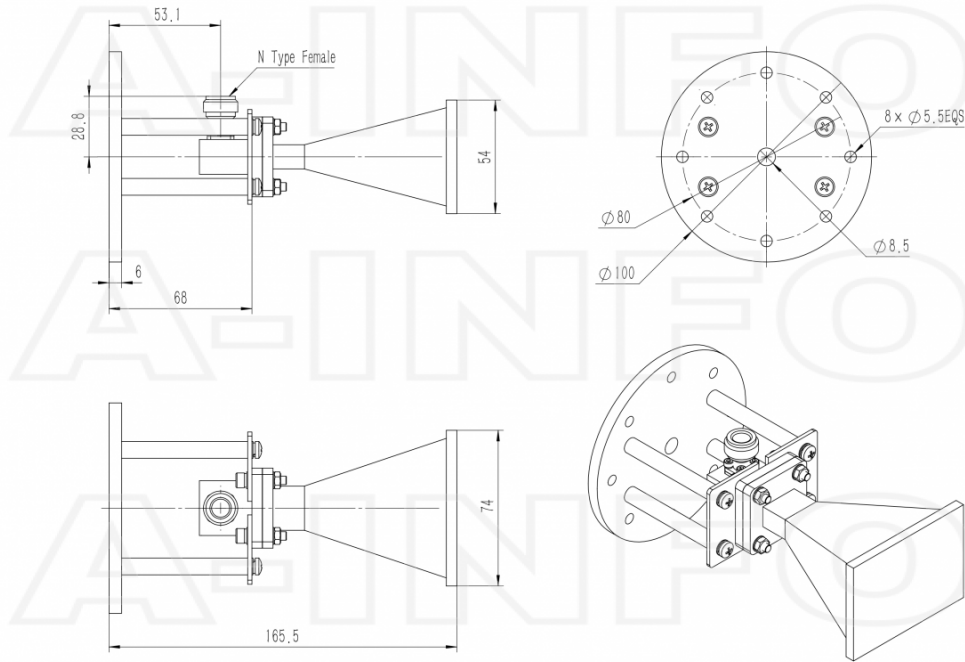
Application	Outdoor, Waterproof and Dustproof, Fixed	Solution for	Gain Reference Antenna Measurement Reflector Feed Far-field Measurement System Intergration Material Measurement
-------------	--	--------------	---

## Outline Drawing

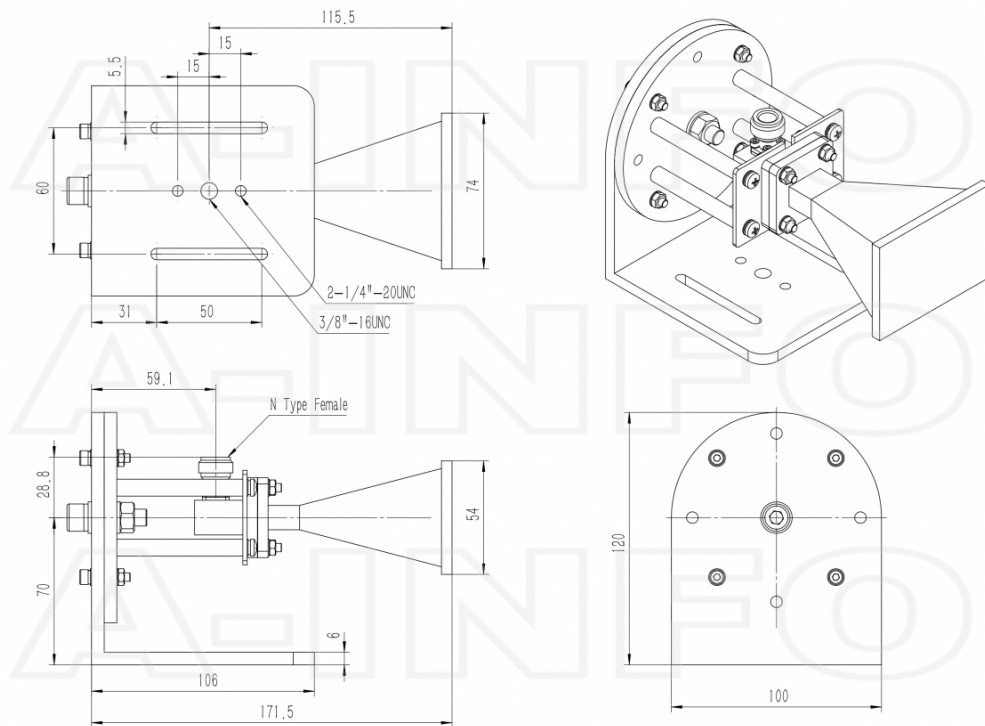
N Type Female Output with Radome (Option, P/N: LB-75-15-C-NFSPO, Outdoor Application)



N Type Female Output with Round Mounting Bracket & Radome (Option, P/N: LB-75-10-C-MB & LB-75-15-C-NFSP0, Outdoor Application)

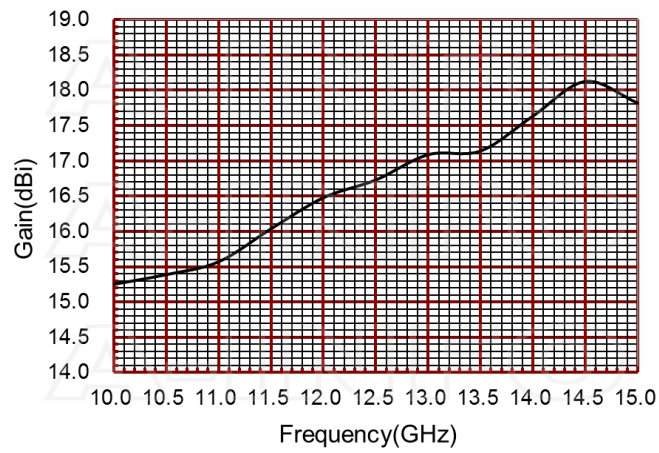


N Type Female Output with L Type Mounting Bracket & Radome (Option, P/N: LB-75-10-C-MBL & LB-75-15-C-NFSP0, Outdoor Application)

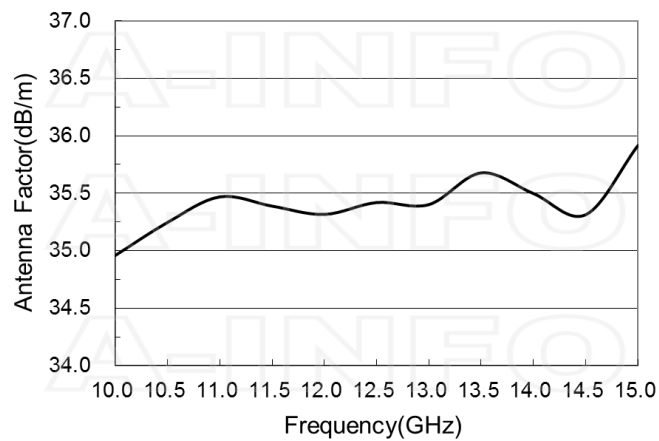


## Typical Test Results

### Gain



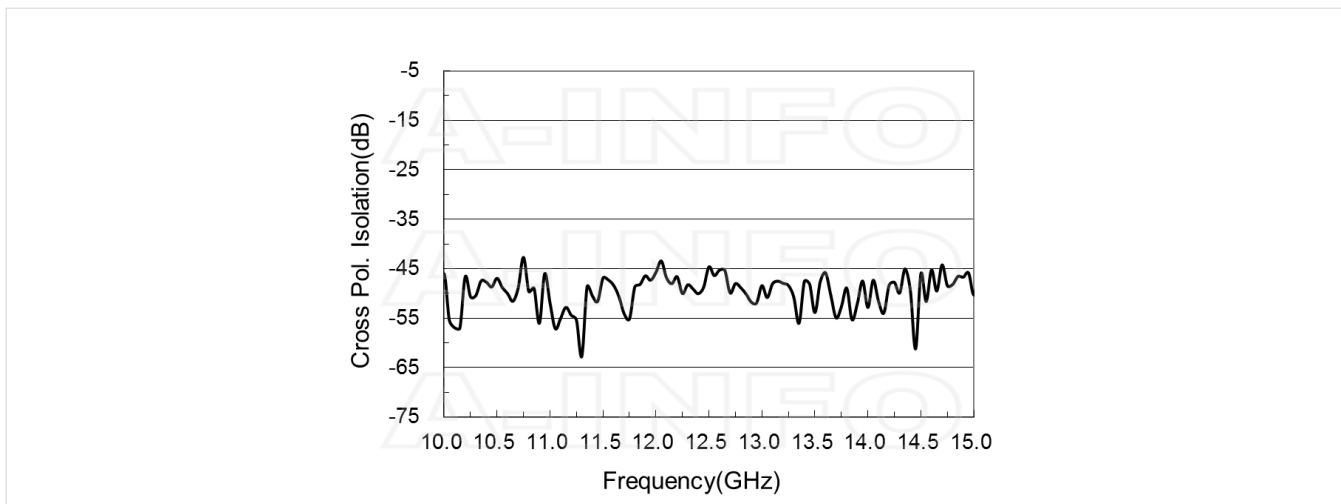
### Antenna Factor



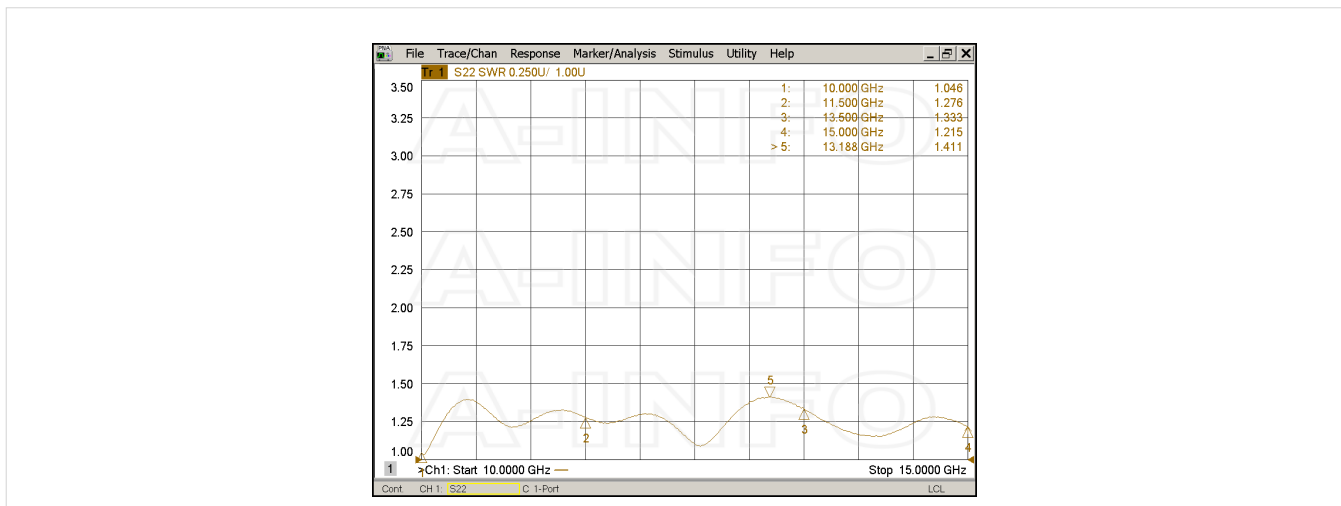
### Antenna Factor (Table)

Frequency(GHz)	Gain(dBi)	Antenna Factor(dB/m)
10.0	15.25	34.96
10.5	15.39	35.25
11.0	15.57	35.47
11.5	16.04	35.39
12.0	16.48	35.32
12.5	16.73	35.42
13.0	17.09	35.40
13.5	17.14	35.68
14.0	17.64	35.50
14.5	18.12	35.31
15.0	17.82	35.92

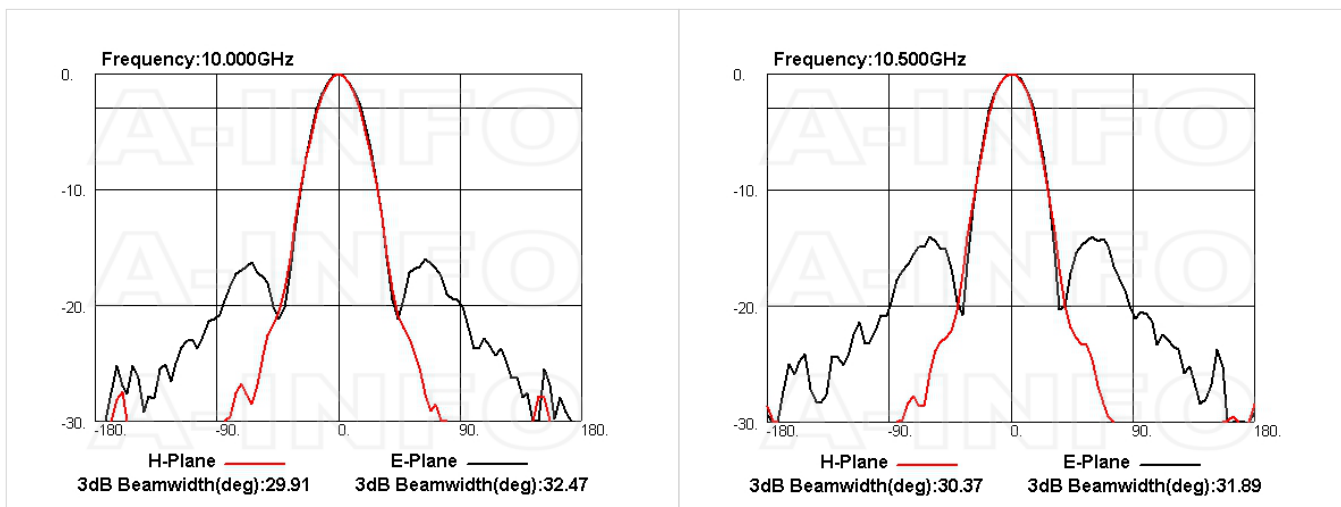
## Cross Polarization Isolation

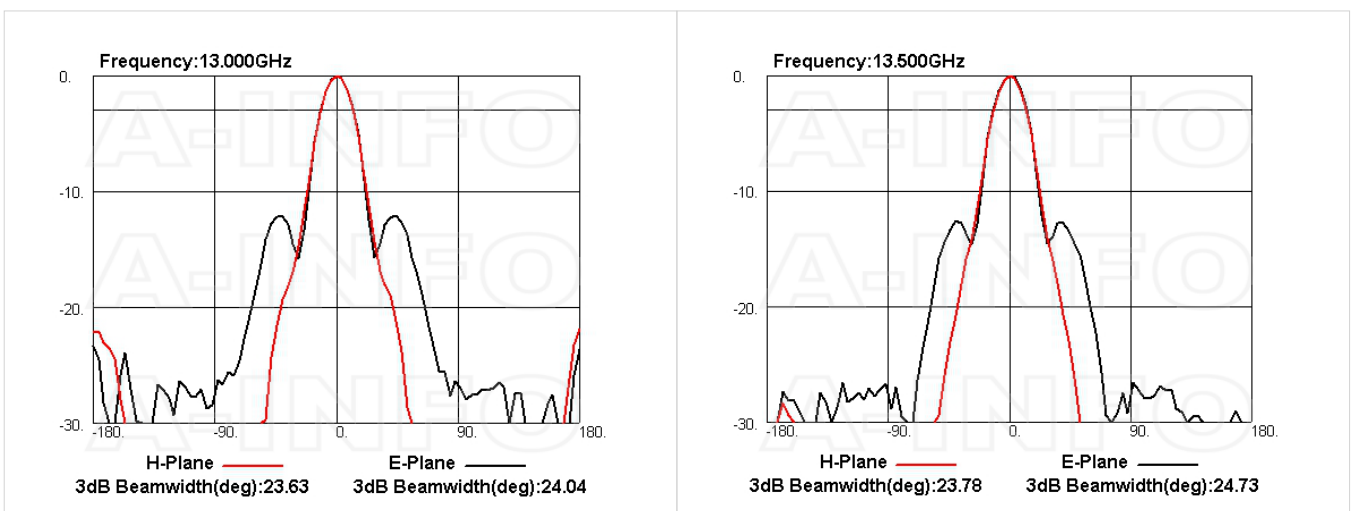
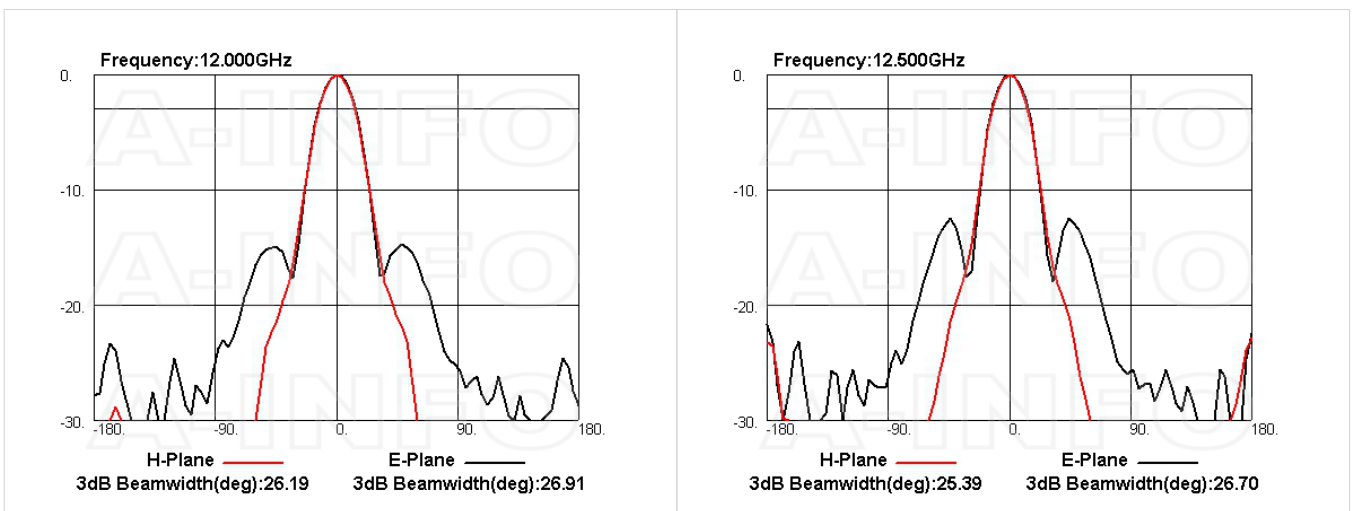
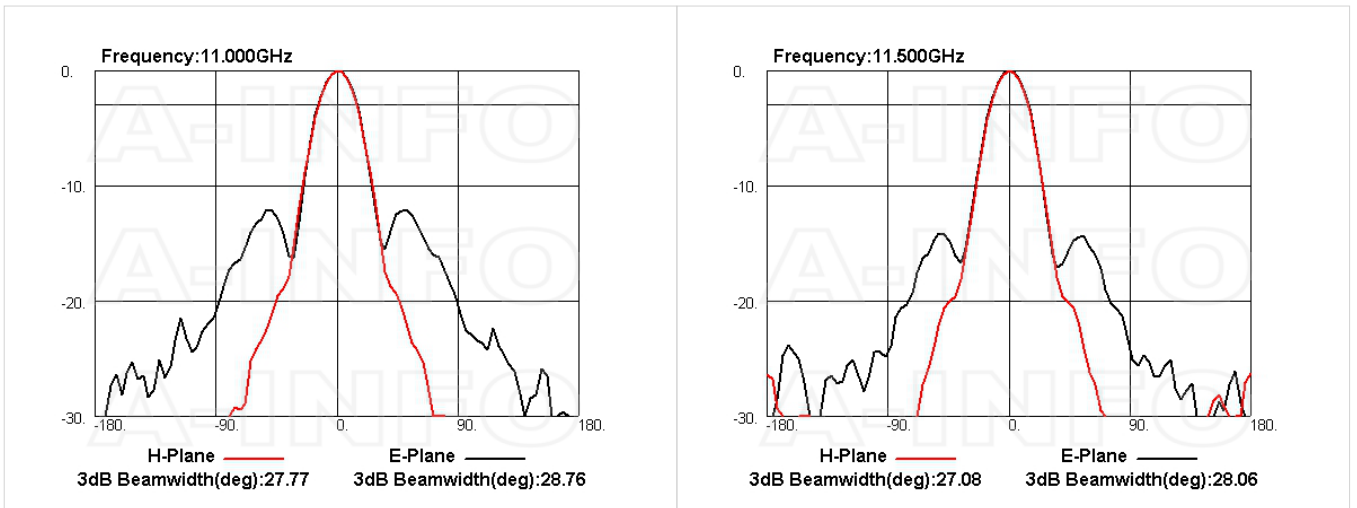


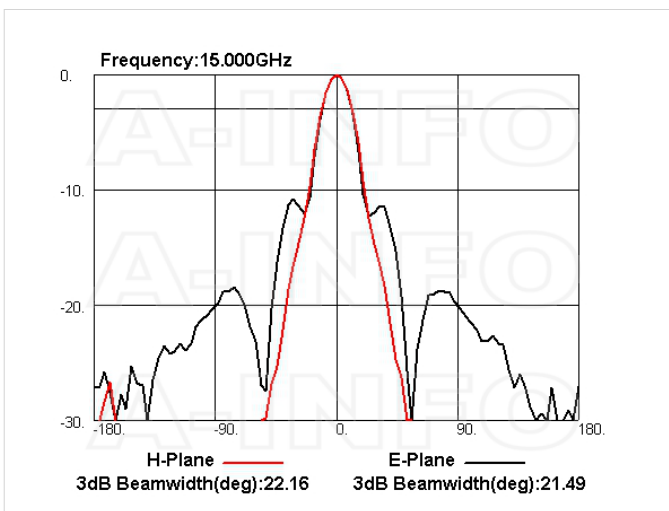
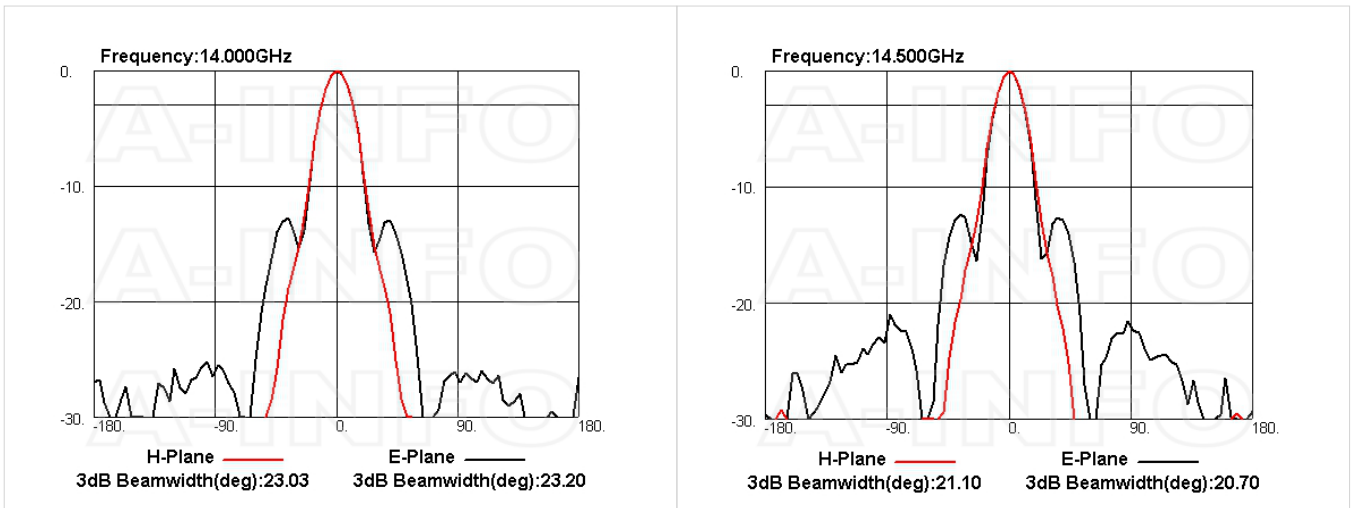
## VSWR



## Pattern







## Related Products



LB-75-10-C-MB Round Type Mounting Bracket



LB-75-10-C-MBL L type mounting bracket



LB-75-10-C-MA Stinger Type Mounting Bracket



Tripod\_15Kg Al Alloy Tripod



3033HL Wooden Tripod



3033QM Wooden Tripod Metalfree



Carrying Case\_LB-75-15-C Al Alloy Carrying Case



M4x12 Hex\_Pack WR51-WR112 Assembly Pack



M4x20 Hex\_Pack WR112- WR51 Flange Assembly Pack



M4x30 Hex\_Pack Log Periodic, DS Assembly Pack



NM-NM-A050-500 Flexible Cable Assembly 500mm DC- 18GHz N Male to N Male



NM-NM-A050-1000 Flexible Cable Assembly 1000mm DC- 18GHz N Male to N Male



NM-NM-A050-1500 Flexible Cable Assembly 1500mm DC- 18GHz N Male to N Male



NM-NM-A050-2000 Flexible Cable Assembly 2000mm DC- 18GHz N Male to N Male



NM-NM-A050-3000 Flexible Cable Assembly 3000mm DC- 18GHz N Male to N Male



NM-NM-A050-5000 Flexible Cable Assembly 5000mm DC- 18GHz N Male to N Male



NM-NM-A050-10000 Flexible Cable Assembly 10000mm DC- 18GHz N Male to N Male



NM-NM-A050-20000 Flexible Cable Assembly 20000mm DC- 18GHz N Male to N Male



NM-NM-A100-500 Flexible Cable Assembly 500mm DC- 18GHz N Male to N Male



NM-NM-A100-1000 Flexible Cable Assembly 1000mm DC- 18GHz N Male to N Male





NM-NM-A100-1500 Flexible Cable Assembly 1500mm DC-18GHz N Male to N Male



NM-NM-A100-2000 Flexible Cable Assembly 2000mm DC-18GHz N Male to N Male



NM-NM-A100-3000 Flexible Cable Assembly 3000mm DC-18GHz N Male to N Male



NM-NM-A100-5000 Flexible Cable Assembly 5000mm DC-18GHz N Male to N Male

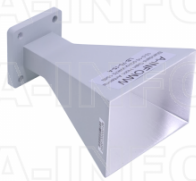


NM-NM-A100-10000 Flexible Cable Assembly 10000mm DC-18GHz N Male to N Male

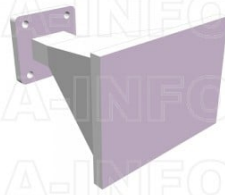


NM-NM-A100-20000 Flexible Cable Assembly 20000mm DC-18GHz N Male to N Male

### Similar Products



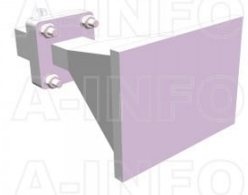
LB-75-15-A Standard Gain Horn Antenna 10-15GHz 15dB Gain Rectangular Waveguide Interface



LB-75-15-ASPO Standard Gain Horn Antenna 10-15GHz 15dB Gain Rectangular Waveguide Interface



LB-75-15-C-SF Standard Gain Horn Antenna 10-15GHz 15dB Gain SMA Female



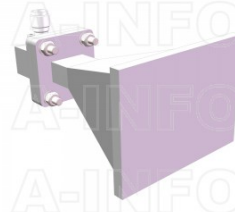
LB-75-15-C-SFSPO Standard Gain Horn Antenna 10-15GHz 15dB Gain SMA Female



LB-75-15-C-NF Standard Gain Horn Antenna 10-15GHz 15dB Gain N Type Female



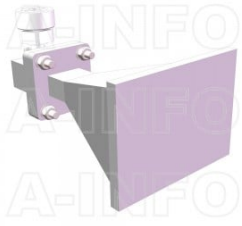
LB-75-15-C-TF Standard Gain Horn Antenna 10-15GHz 15dB Gain TNC Female



LB-75-15-C-TFSP0 Standard Gain Horn Antenna 10-15GHz 15dB Gain TNC Female



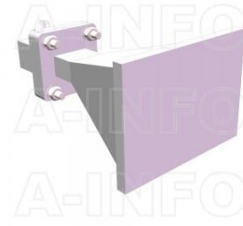
LB-75-15-C-7 Standard Gain Horn Antenna 10-15GHz 15dB Gain 7mm



LB-75-15-C-7SPO Standard Gain  
Horn Antenna 10-15GHz 15dB  
Gain 7mm



LB-75-15-C-3.5F Standard Gain  
Horn Antenna 10-15GHz 15dB  
Gain 3.5mm Female



LB-75-15-C-3.5FSPO Standard  
Gain Horn Antenna 10-15GHz  
15dB Gain 3.5mm Female

## About this Datasheet

<ul style="list-style-type: none"> <li>● <b>Product Information</b> Product Link: <a href="https://www.ainfoinc.com/lb-75-15-c-nfspo-standard-gain-horn-antenna-10-15-ghz-15db-gain-n-type-female">https://www.ainfoinc.com/lb-75-15-c-nfspo-standard-gain-horn-antenna-10-15-ghz-15db-gain-n-type-female</a> Data subject to change without notice. © A-INFO INC. 2023. All Rights Reserved</li> </ul>	<ul style="list-style-type: none"> <li>● <b>Contact Us</b> Address:dd 60 Tesla, Irvine, CA 92618, USA  Website: <a href="http://www.ainfoinc.com">www.ainfoinc.com</a>  Email: <a href="mailto:sales@ainfoinc.com">sales@ainfoinc.com</a></li> </ul>	<ul style="list-style-type: none"> <li>● <b>Phone &amp; Fax</b> Phone: +1-949-639-9688 +1-949-639-9608  Fax: +1-949-639-9670</li> </ul>
---	--	---